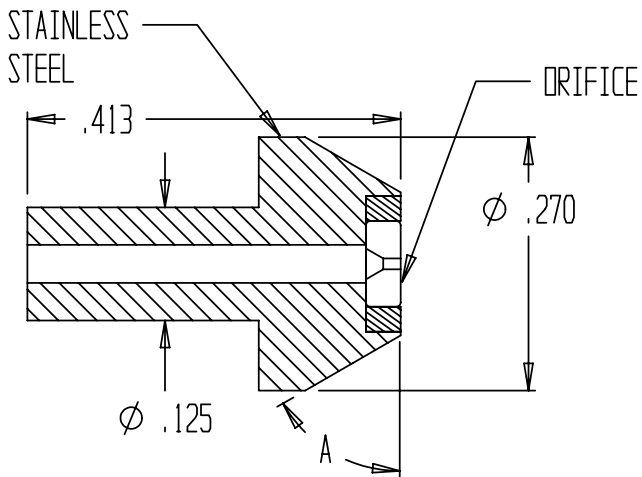




524 TINDALL AVENUE  
TRENTON, NEW JERSEY  
08610

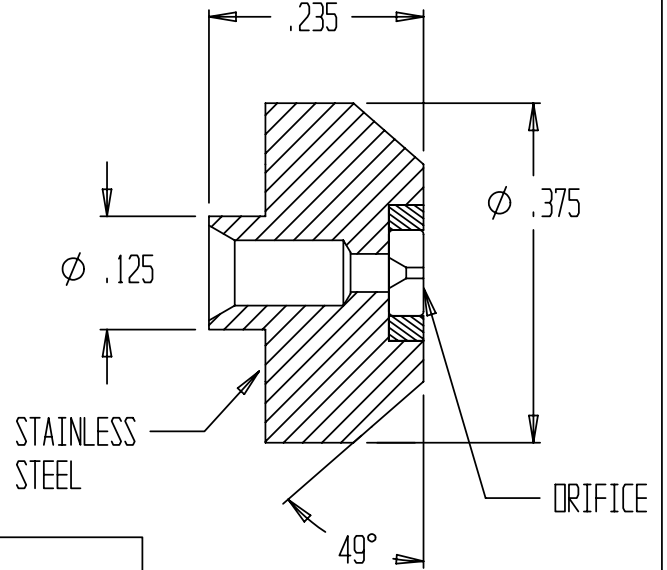
PHONE: 609-396-1577  
800-882-0105 FAX: 609-695-4339

GATTI WATER JET DRIFICE ASSEMBLIES



A TYPE

- 60° → 2720
- 48° → 2908

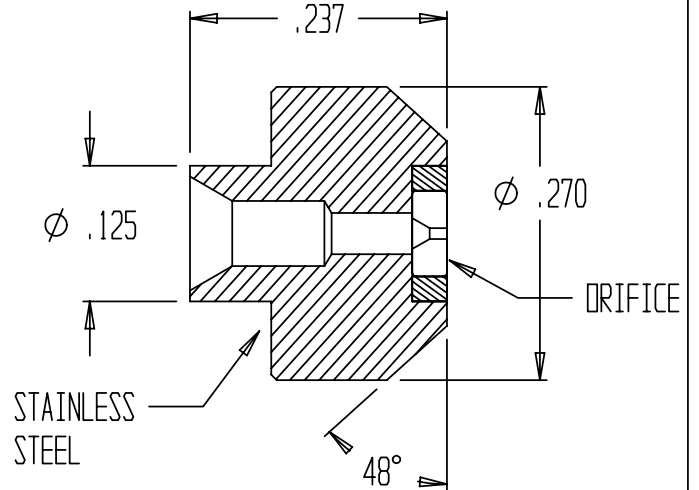
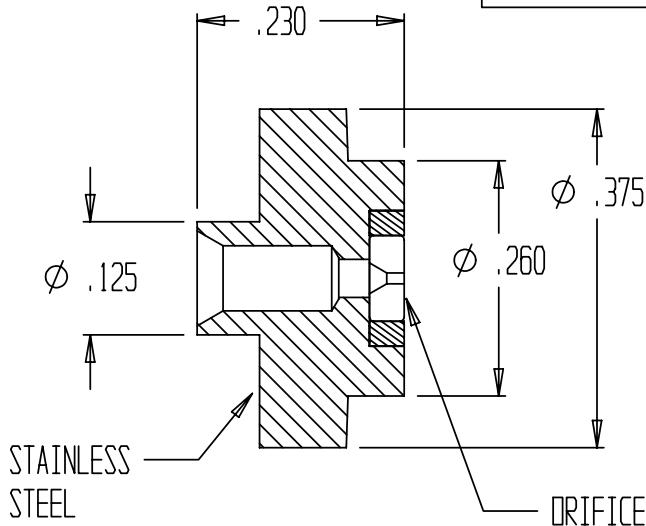


TYPE 2822

SAPPHIRE AND  
DIAMOND DRIFICES  
SIZES .003 AND UP  
QUICK DELIVERY

TYPE 2936

TYPE 3106



SK-659